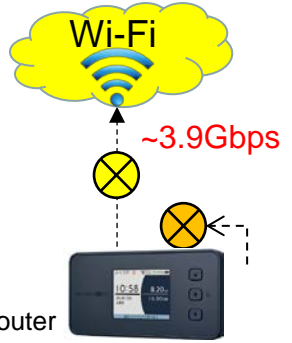


K.Ohtsuka's Home Network

NTT West / flets-west.jp
フレッツ光クロス 10Gbps

NTT XG-100NE
802.11ax/ac/n/g/b/a 2.4G/1G/600/54Mbps PIN: xxxx xxxx
SSID-1: xxxx-xxxxx-1 (2.4GHz) 802.11ax/n/g/b ~1Mbps
WPA2-PSK(AES) xxxx xxxx xxxxxx MAC Filtering ナシ
SSID-2: xxxx-xxxxx-2 (2.4GHz) 802.11ax/n/g/b ~1Mbps
WPA2-PSK(AES) xxxx xxxx xxxxxx MAC Filtering ナシ
SSID-3: xxxx-xxxxx-3 (5GHz) 802.11ax/ac/n/a ~2.4Gbps
WPA2-PSK(AES) xxxx xxxx xxxxxx MAC Filtering ナシ



TV(1F)	10G-VONU 終端装置	10G-ONU 終端装置				
NTT XG-100NE IPv6 フレッツ光クロス対応ホームゲートウェイ 10Gbps GateWay/設定 http://192.168.1.1/ xx-xx-xx-xx-xx-xx(MAC) SubNetMask: FF FF FF 00						
WAN 10Gbps						
Tel1 (1F)	Tel2 (2F)	LAN1 1Gbps	LAN2 1Gbps	LAN3 1Gbps	LAN4 10Gbps	

TP-Link Omada対応 sw. HUB
10Gbps DS1008X

1	2	3	4	5	6	7	8
---	---	---	---	---	---	---	---

Biglobe WiMAX Speed Wi-Fi 5G X12
~3.9Gbps 設定 <http://192.168.179.1/>

XXXXX_XXX_XXXXXX 802.11ax/ac/n/g/b/
WPA2 PSK / WPA3-SAE(AES)
xxxxxxxxxxxxx / yy:yy:yy:yy:yy:yy(Wi-Fi MAC)

R400
~600Mbps

M90t
~2.4Gbps

M92p
10Gbps

LBP622C
1Gbps

USBデバイスサーバ CG-WLNUP01N
192.168.1.xx

TS9030
100Mbps

Lenovo **7443-CTO** xx-xxxxx
Windows 11 Home 64bit
Intel Core Duo P8800 2.66GHz
8GB 4GB x 2, Max8GB, 2Slot
DDR3-1066 PC3-8500
192.168.1.xx
xx-xx-xx-xx-xx-xx(MAC)
Wi-Fi 802.11n/g/b ~600Mbps
yy-yy-yy-yy-yy-yy(Wi-Fi MAC)

Lenovo **12HK-CTO1WW** xx-xxxxxx
Windows 11 Home 64bit
Intel Core i5-13600 vPro 3.7GHz
32GB 16GB x 2 Max128GB, 4Slot
DDR5-6000 PC5-48000
192.168.1.xx
xx-xx-xx-xx-xx-xx(MAC)
Wi-Fi 802.11ax/ac/n ~2.4Gbps
yy-yy-yy-yy-yy-yy(Wi-Fi MAC)

Lenovo **2999-CTO** xx-xxxxxx
Windows 11 Home 64bit
Intel Core i7-3770 vPro 3.4GHz
32GB 8GB x 4, Max32GB, 4Slot
DDR3-1600 PC3-12800
192.168.1.xx
xx-xx-xx-xx-xx-xx(MAC)

CANON **LBP622C**
9600dpi
192.168.1.xx
xx-xx-xx-xx-xx-xx(MAC)
yy-yy-yy-yy-yy-yy(Wi-Fi MAC)

802.11n/g ~600Mbps
192.168.1.xx
xx-xx-xx-xx-xx-xx(Wi-Fi MAC)

CANON PIXUS **TS9030**
9600 x 2400dpi
192.168.1.xx
xx-xx-xx-xx-xx-xx (MAC)
yy-yy-yy-yy-yy-yy
(Wi-Fi MAC)

CANON CanoScan 9000F Mark II
9600 x 9600dpi

Lenovo TB-X606X Tab M10 FHD Plus (2nd Gen)
Android 10.0, 4GB Main Memory
64GB Flash Storage 1
64GB microSD Storage 2(Max 256GB)
Wi-Fi 802.11ac/n/g/b ~1Gbps
yy-yy-yy-yy-yy-yy(Wi-Fi MAC)

SONY Smartphone SO-04J Xperia XZ Premium
Android 9.0, 4GB Memory
64GB 内部 Storage 1
64GB SD Storage 2
Wi-Fi 802.11ac/n/g/b ~1Gbps
yy-yy-yy-yy-yy-yy(Wi-Fi MAC)

SONY Smartphone **SO-04J Xperia XZ Premium**
Android 9.0, 4GB Memory
64GB 内部 Storage 1
64GB SD Storage 2
Wi-Fi 802.11ac/n/g/b ~1Gbps
yy-yy-yy-yy-yy-yy(Wi-Fi MAC)

ONKYO CR-N775 / D-212EXT
yy-yy-yy-yy-yy-yy (Wi-Fi MAC)

Lenovo ThinkCentre M90t 12HK-CTO xx-xxxxx (2024/2/1~)

Lenovo 500 IR Full HD
Windows Hello対応Webカメラ



BOSE
Companion 2 series II

SONY
WF-C500



SONY
WH-1000XM2



NTT West /
フレッツ光クロス
10Gbps

~2.4Gbps

**NTT 10Gbps
XG-100NE**

Tel/Fax(#2)

NW(#4)

**TP-Link
DS1008X**
Sw. HUB 10Gbps

10Gbps
xx-xx-xx-xx-xx-xx

**TP-Link
TX401**

Wi-Fi 802.11ax/ac/n
yy-yy-yy-yy-yy-yy

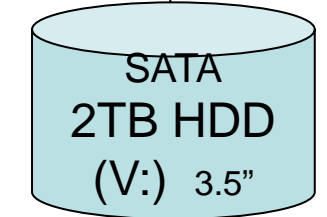
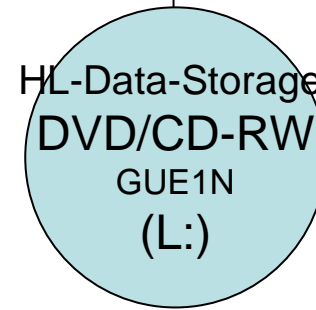
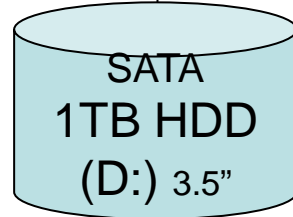
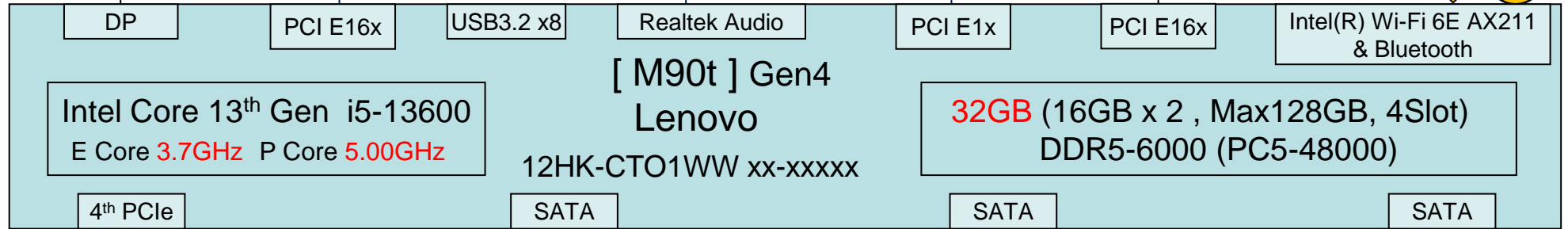
~2.4Gbps

CREATIVE Med.
Sound Blaster Audigy FX
Carte son interne 5.1 SBX ProStudio

Integrated
Speakers

USRobotics
56K V.92 PCI Express
Soft Faxmodem

DisplayPort

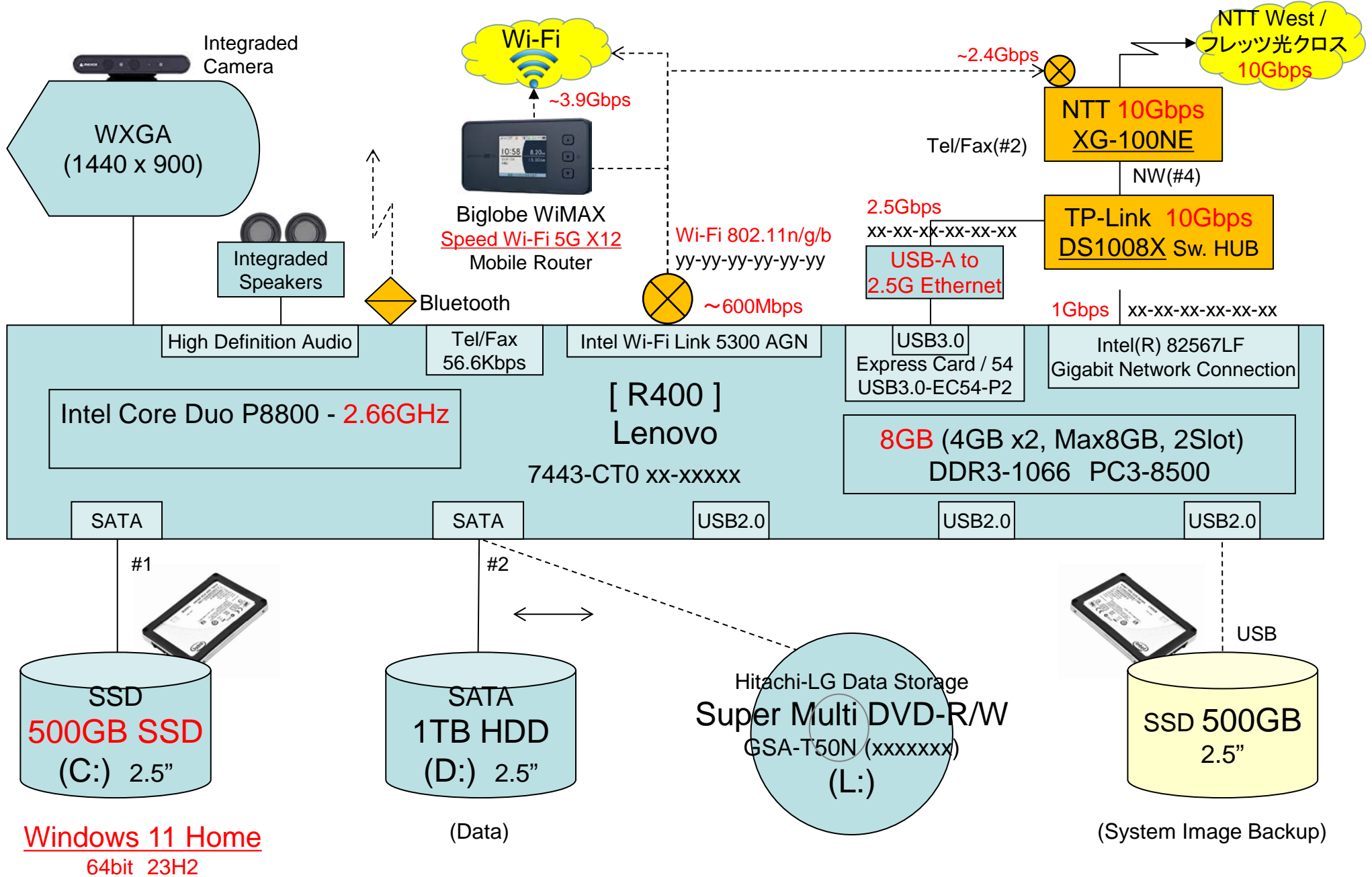


Windows 11 Home
64bit 24H2

(Data)

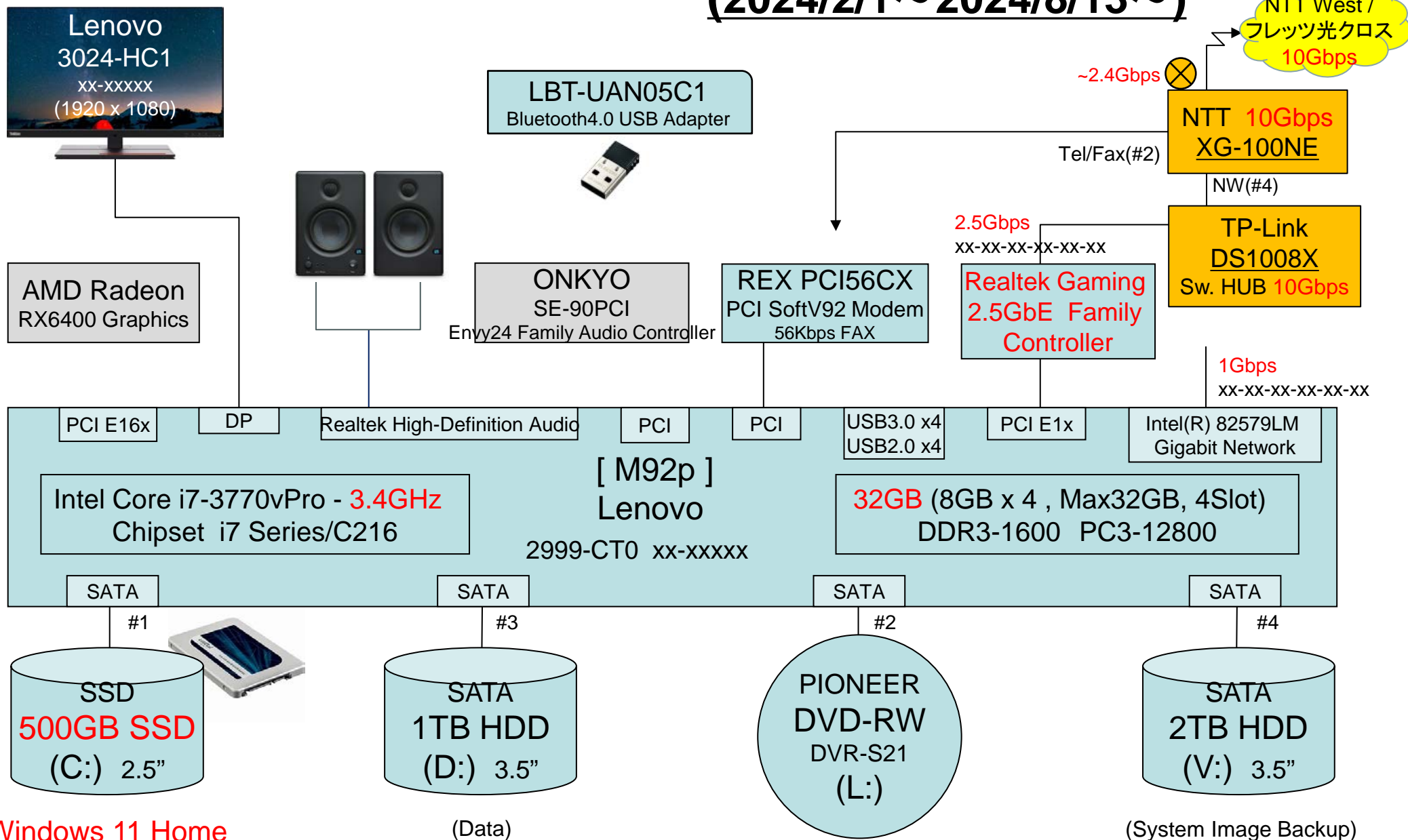
(System Image Backup)

Lenovo ThinkPad R400 7443-CTO xx-xxxxx (2010/3/01~)



Lenovo ThinkCentre M92p 2999-CT0 xx-xxxxx (2012/11/10~)

(2024/2/1 ~ 2024/8/13~)



Windows 11 Home

64bit 24H2

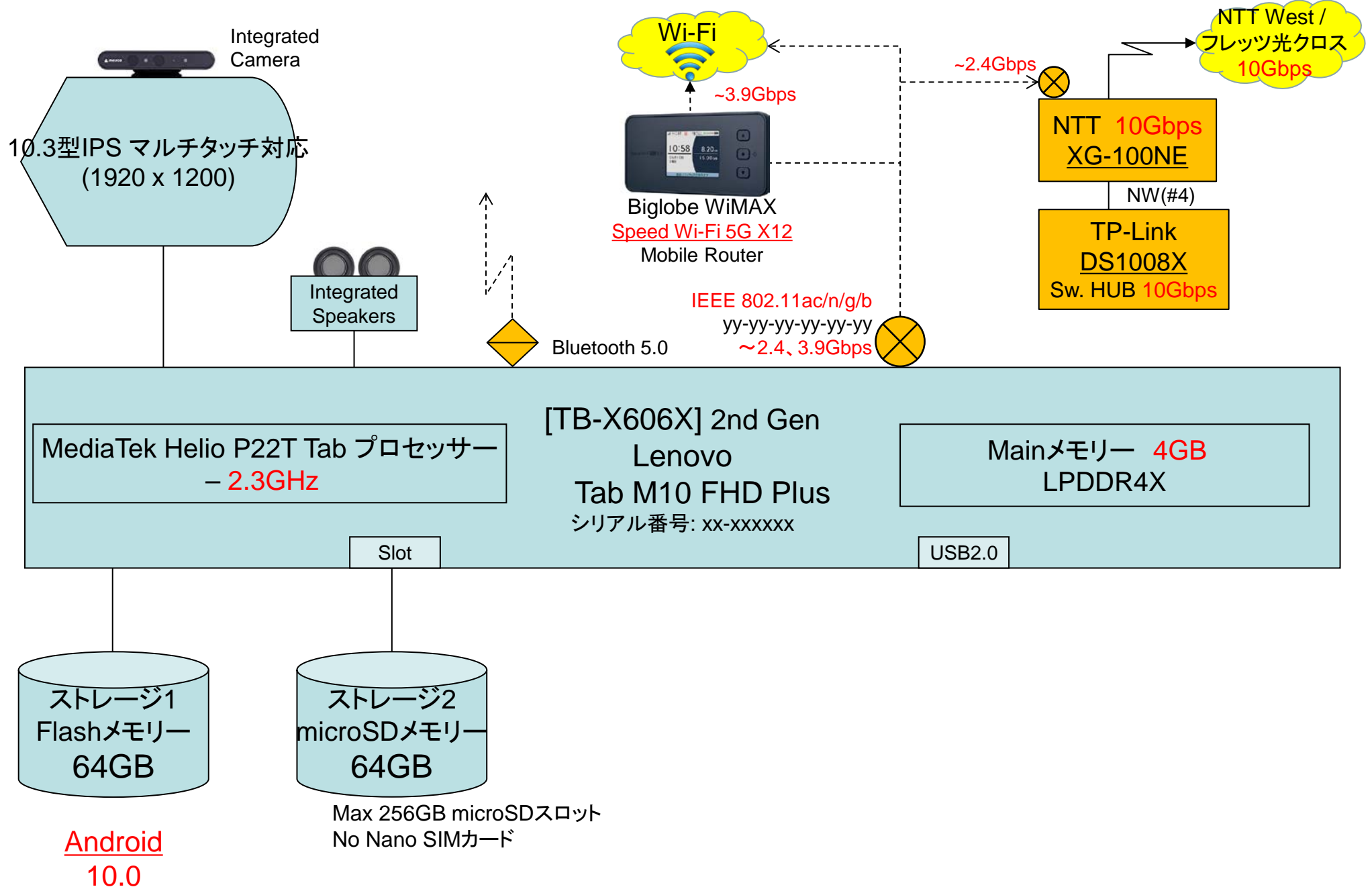
* 2024(R6).8.13、ProからHomeにDowngrade

(Data)

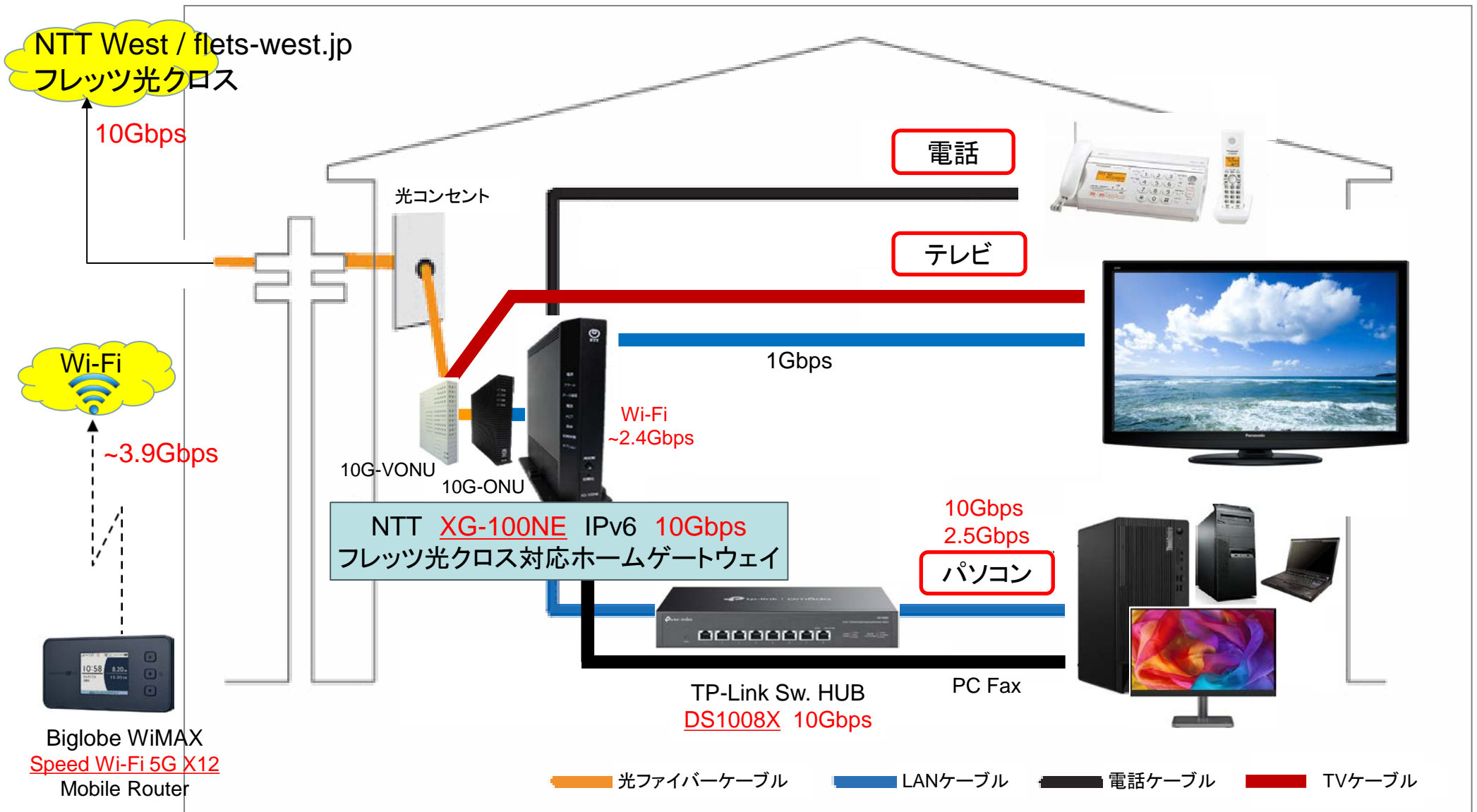
(System Image Backup)

As of: 2024/11/18

Lenovo Tab M10 FHD Plus (2nd Gen) TB-X606X (2020/9/29~)



K.Ohtsuka's Home Internet Network 接続



K.Ohtsuka's Windows PC System, Applications, Data保全

