

K.Ohtsuka's Home Network

NTT SC-40NE「2」 802.11ac/n/g/b 6900/600/54/11Mbps (Wi-Fi MAC)
 SSID1: pr500k-e59ad4-1 (2.4GHz) n/g/b ~600Mbps yy-yy-yy-yy-yy-yy
 WPA2-PSK(AES) zzzz zzzz zzzz z MAC Filtering 有り
 SSID2: pr500k-e59ad4-2 (2.4GHz) n/g/b ~600Mbps yy-yy-yy-yy-yy-yy
 WPA2-PSK(AES) zzzz zzzz zzzz z MAC Filtering 有り
 SSID3: pr500k-e59ad4-3 (5GHz) ac/n/a ~1Gbps yy-yy-yy-yy-yy-yy
 WPA2-PSK(AES) zzzz zzzz zzzz z MAC Filtering ナシ PIN: pppp pppp



NTT West
フレッツ光

NTT PR-500KI ONU一体型
ひかり電話対応ホームGW

1Gbps GateWay/設定 <http://192.168.1.1/>
 xx-xx-xx-xx-xx-xx(MAC) SubNetMask: FF FF FF 00

| | | | | | | |
|----|------|------|-----|-----|-----|-----|
| TV | Tel1 | Tel2 | NW1 | NW2 | NW3 | NW4 |
|----|------|------|-----|-----|-----|-----|

ELECOM sw. HUB
EHC-G08MN-HJB

1Gbps

| | | | | | | | |
|---|---|---|---|---|---|---|---|
| 1 | 2 | 3 | 4 | 5 | 6 | 7 | 8 |
|---|---|---|---|---|---|---|---|

Mobile Router

NTT PWR-N1000 光LINK

LTE / Wi-Fi 設定 <http://192.168.11.1/>

n1000-668321-1 802.11n ~600Mbps
 zzzz zzzz zzzz z MAC Filtering ナシ
 n1000-668321-2 802.11g ~54Mbps
 zzzz zzzz zzzz z MAC Filtering 有り
 yy-yy-yy-yy-yy-yy(Wi-Fi MAC)

Lenovo 7443-CTO xx-xxxxx
 Windows 11 Home 64bit
 Intel Core Duo P8800 2.66GHz
 8GB 4GB x 2, Max8GB, 2Slot
 DDR3-1066 PC3-8500
 192.168.1.xx
 xx-xx-xx-xx-xx-xx(MAC)
 Wi-Fi 802.11n/g/b ~600Mbps
 yy-yy-yy-yy-yy-yy(Wi-Fi MAC)

Lenovo 12HK-CTO1WW xx-xxxxxx
 Windows 11 Home 64bit
 Intel Core i5-13600 vPro 3.7GHz
 32GB 16GB x 2 Max128GB, 4Slot
 DDR5-6000 PC5-48000
 192.168.1.xx
 xx-xx-xx-xx-xx-xx(MAC)
 Wi-Fi 802.11ax/ac/n ~1Gbps
 yy-yy-yy-yy-yy-yy(Wi-Fi MAC)

Lenovo 2999-CTO xx-xxxxx
 Windows 11 Pro 64bit
 Intel Core i7-3770 vPro 3.4GHz
 32GB 8GB x 4, Max32GB, 4Slot
 DDR3-1600 PC3-12800
 192.168.1.xx
 xx-xx-xx-xx-xx-xx(MAC)

CANON LBP622C
 9600dpi
 192.168.1.xx
 xx-xx-xx-xx-xx-xx(MAC)
 yy-yy-yy-yy-yy-yy(Wi-Fi MAC)

USBデバイスサーバ
CG-WLNUP01N
192.168.1.xx

802.11n/g ~600Mbps
 192.168.1.xx
 xx-xx-xx-xx-xx-xx(Wi-Fi MAC)

CANON CanoScan
9000F Mark II
9600 x 9600dpi

CANON PIXUS TS9030
 9600 x 2400dpi
 192.168.1.xx
 xx-xx-xx-xx-xx-xx (MAC)
 yy-yy-yy-yy-yy-yy (Wi-Fi MAC)

Lenovo Tab M10 FHD Plus (2nd Gen)
TB-X606X
 Android 10.0、4GB Main Memory
 64GB Flash Storage 1
 64GB microSD Storage 2(Max 256GB)
 Wi-Fi 802.11ac/n/g/b ~1Gbps
 yy-yy-yy-yy-yy-yy(Wi-Fi MAC)

SONY Smartphone
Xperia SO-04J
 Android 9.0、4GB Memory
 64GB 内部 Storage 1
 64GB SD Storage 2
 Wi-Fi 802.11ac/n/g/b ~1Gbps
 yy-yy-yy-yy-yy-yy(Wi-Fi MAC)

ONKYO
CR-N775 / D-212EXT
 yy-yy-yy-yy-yy-yy(Wi-Fi MAC)

Lenovo ThinkCentre M90t 12HK-CTO xx-xxxxx (2024/2/1~)

Lenovo 500 IR Full HD
Windows Hello対応Webカメラ



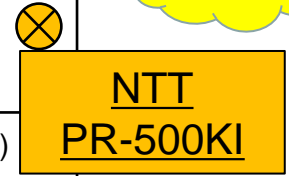
SONY
WF-C500



SONY
WH-1000XM2

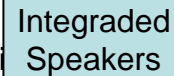


NTT West
フレッツ光



CREATIVE Med.
Sound Blaster Audigy FX

Carte son interne 5.1 SBX ProStudio



USRobotics
56K V.92 PCI Express
Soft Faxmodem

2.5Gbps
xx-xx-xx-xx-xx-xx
Realtek Gaming
2.5GbE Family Controller

Wi-Fi 802.11ax/ac/n
yy-yy-yy-yy-yy-yy



M.2 2280 NVMe PCIe Gen4
Lexar
800 PRO
512GB SSD
(C:) 2280mm

SATA
1TB HDD
(D:) 3.5"

HL-Data-Storage
DVD/CD-RW
GUE1N
(L:)

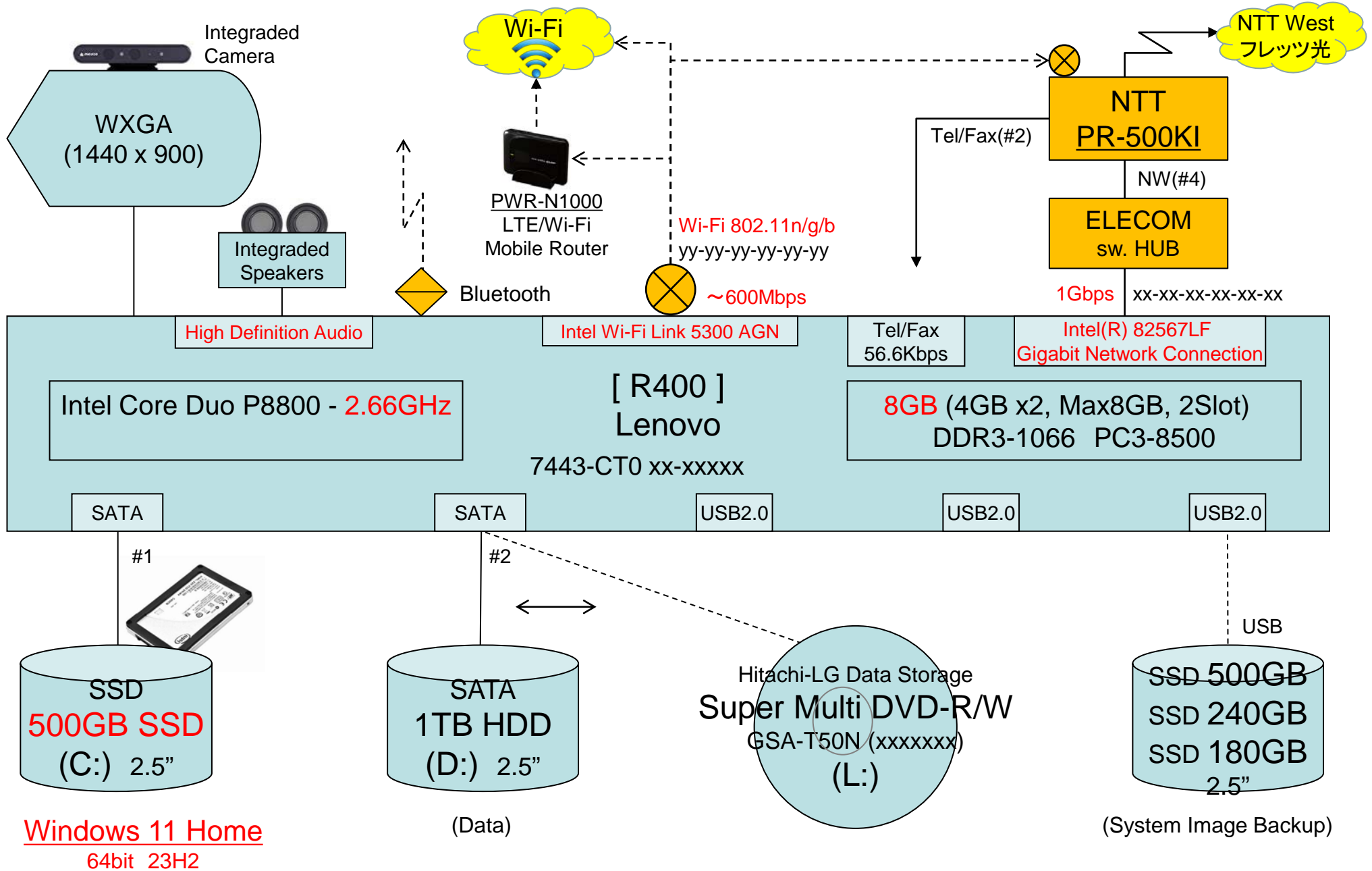
SATA
2TB HDD
(V:) 3.5"

Windows 11 Home
64bit 23H2

(Data)

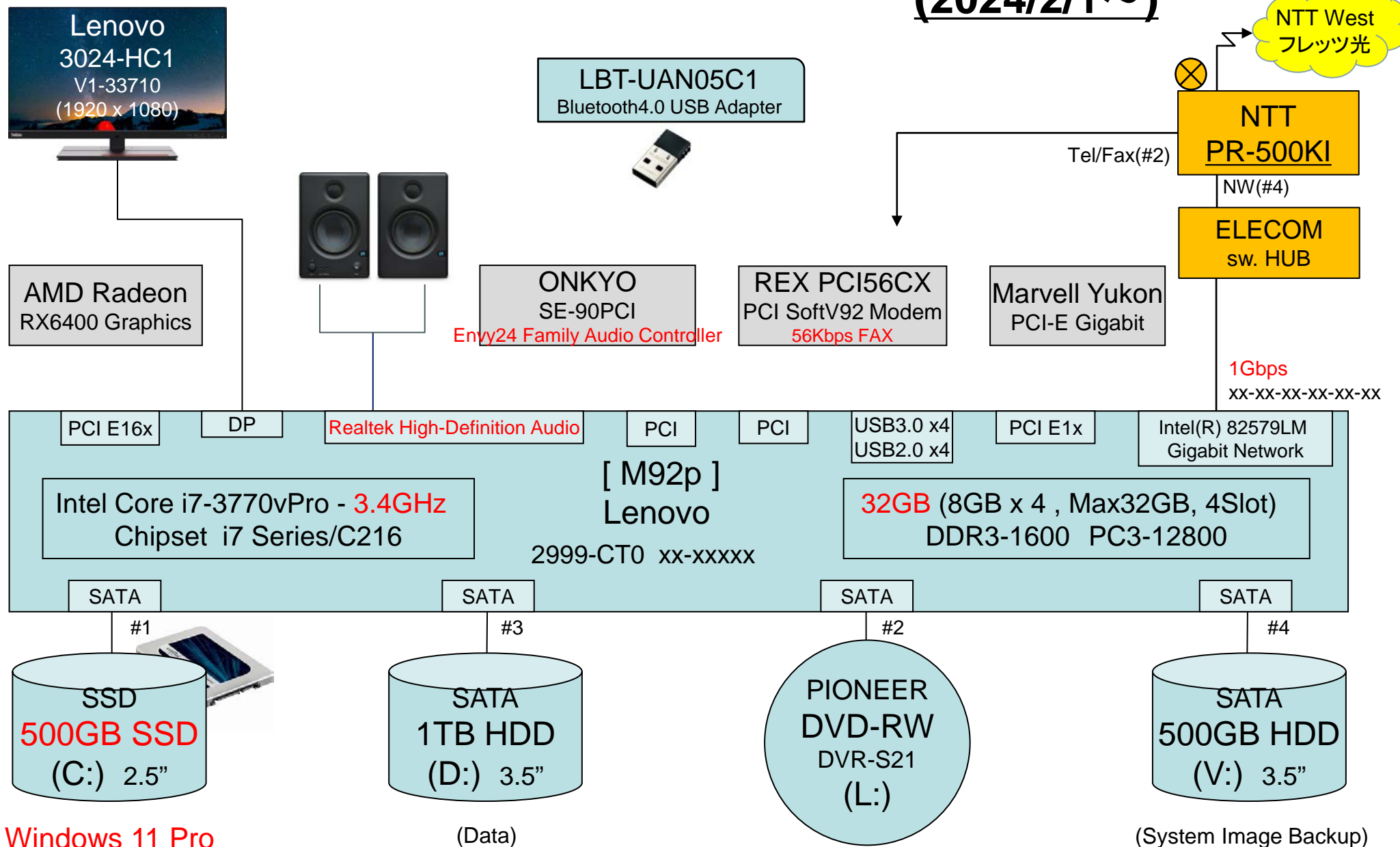
(System Image Backup)

Lenovo ThinkPad R400 7443-CTO xx-xxxxx (2010/3/01~)



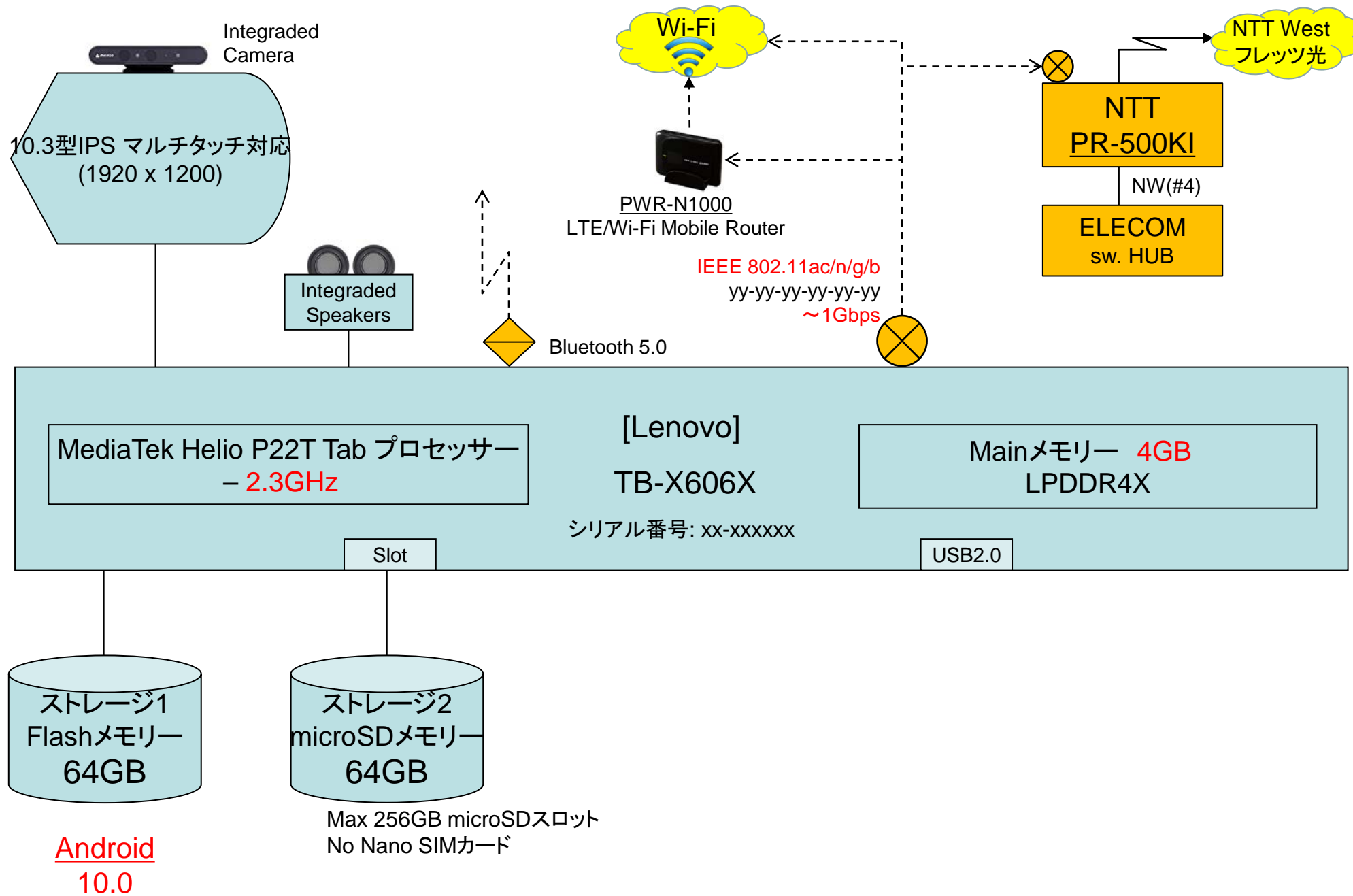
Lenovo ThinkCentre M92p 2999-CT0 xx-xxxxx (2012/11/10~)

(2024/2/1~)

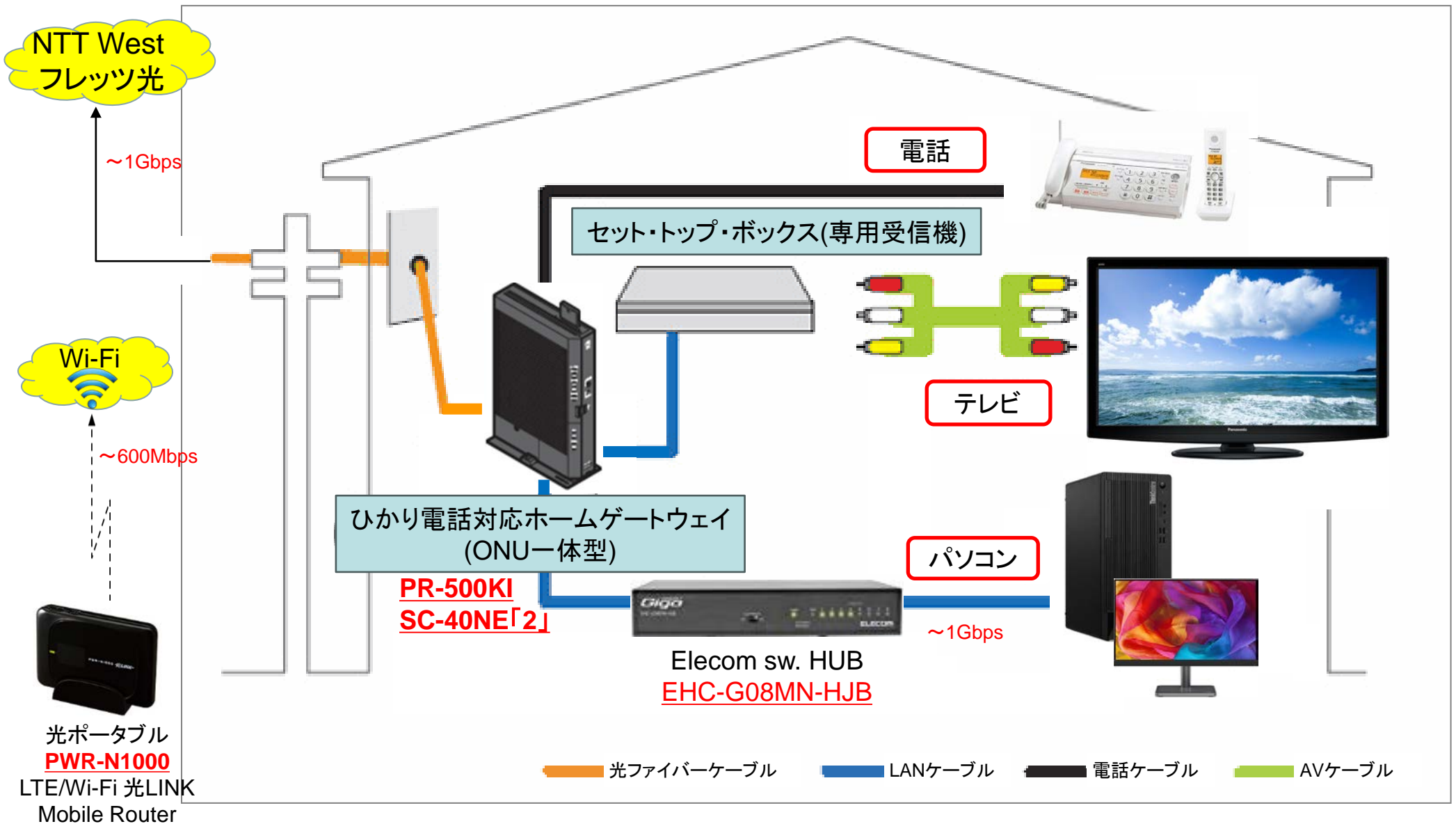


Lenovo Tab M10 FHD Plus TB-X606X

(2020/9/29~)



K.Ohtsuka's Home Internet Network 接続



K.Ohtsuka's Windows PC System, Applications, Data保全

