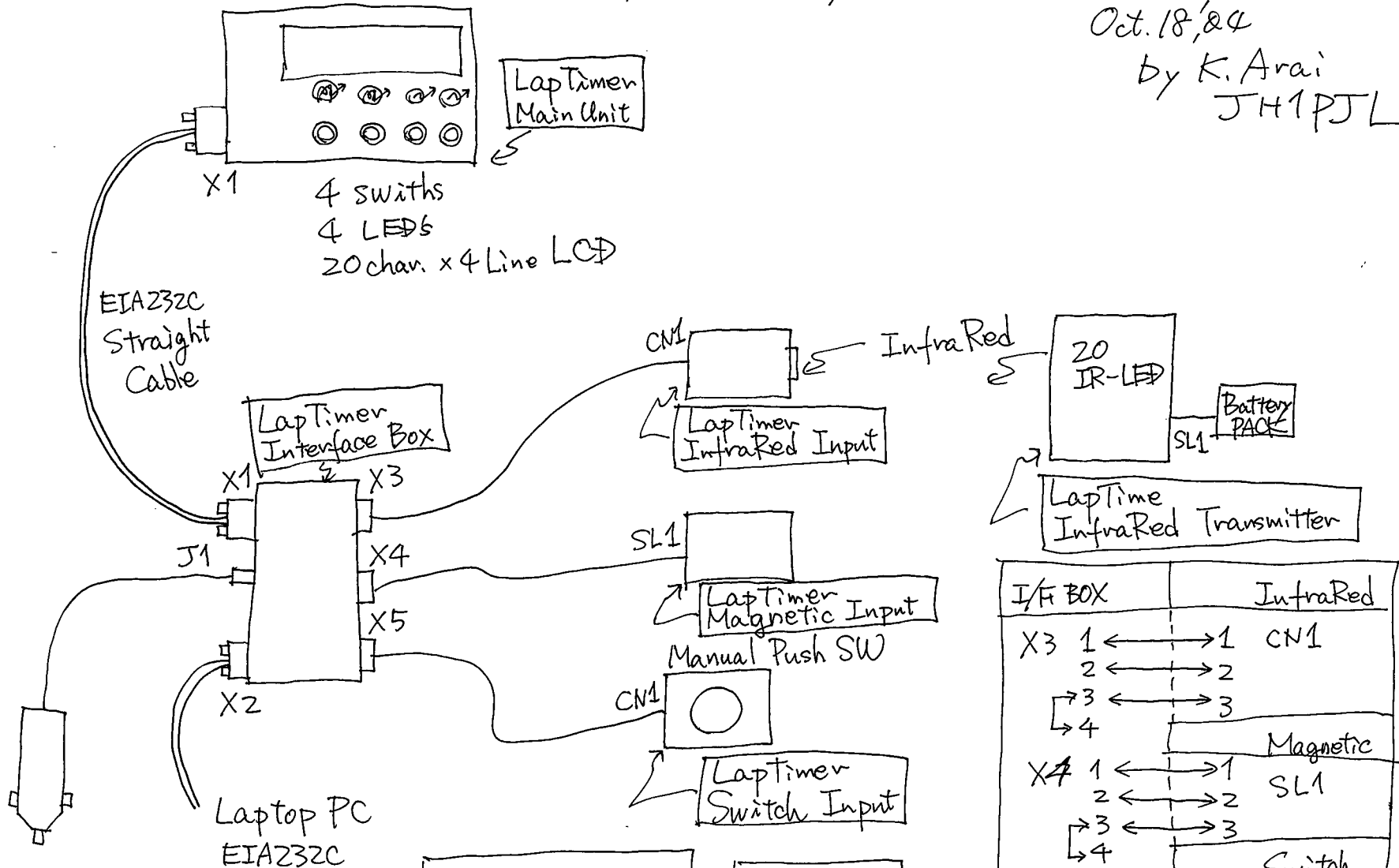


LapTimer System Connection

Oct. 18, '84

by K. Arai

JH1PJL



X1 4 Swiths
4 LEDs
20 char. x 4 Line LCD

EIA232C
Straight
Cable

LapTimer
Interface Box

Infra Red
LapTimer
Infrared Input

20
IR-LED
Battery
PACK

LapTime
InfraRed Transmitter

SL1
LapTimer
Magnetic Input

Manual Push SW

LapTimer
Switch Input

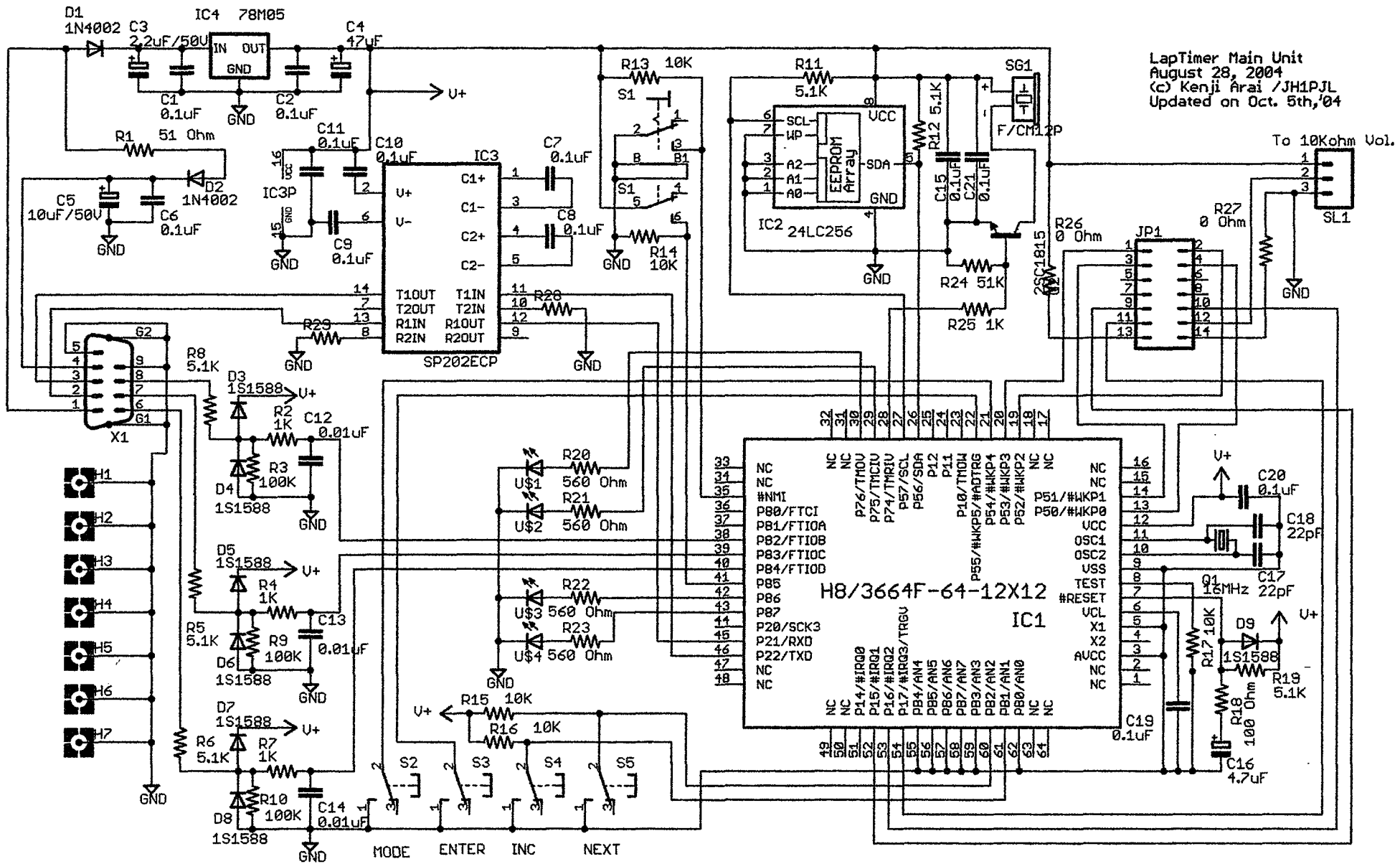
Laptop PC
EIA232C

I/F BOX	
J1	1 ↔ +12V
	2 ↔ N/A
	3 ↔ GND

I/F BOX	
X2	1 N.C
	2 RX
	3 TX
	4 N.C
	5 GND
	6 N.C
	7 N.C
	8 N.C
	9 N.C

I/F BOX	InfraRed
X3 1	↔ 1 CN1
2	↔ 2
↘ 3	↔ 3
↘ 4	
Magnetic	
X4 1	↔ 1 SL1
2	↔ 2
↘ 3	↔ 3
↘ 4	
Switch	
X5 1	↔ 1 CN1
2	↔ 2
↘ 3	↔ 3
↘ 4	

LapTimer Main Unit
August 28, 2004
(c) Kenji Arai /JH1PJL
Updated on Oct. 5th, '04



To 10Kohm Vol.