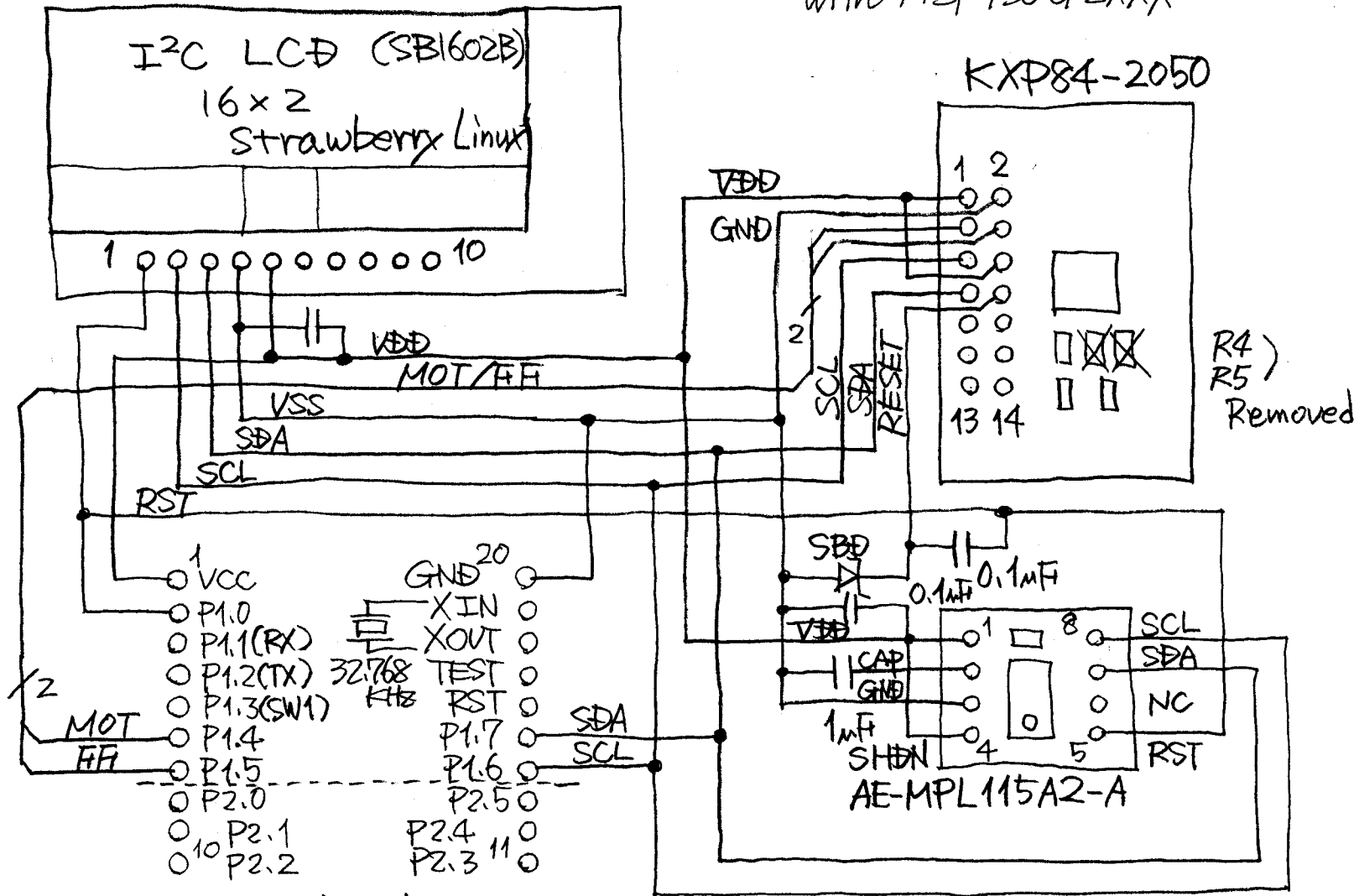


G-Sensor + Barometer + I²C LCD
with MSP430G2XXX



Launch Pad
MSP-EXP430G2

cc) Kenji Arai / JH1PJL
June 25, 2011