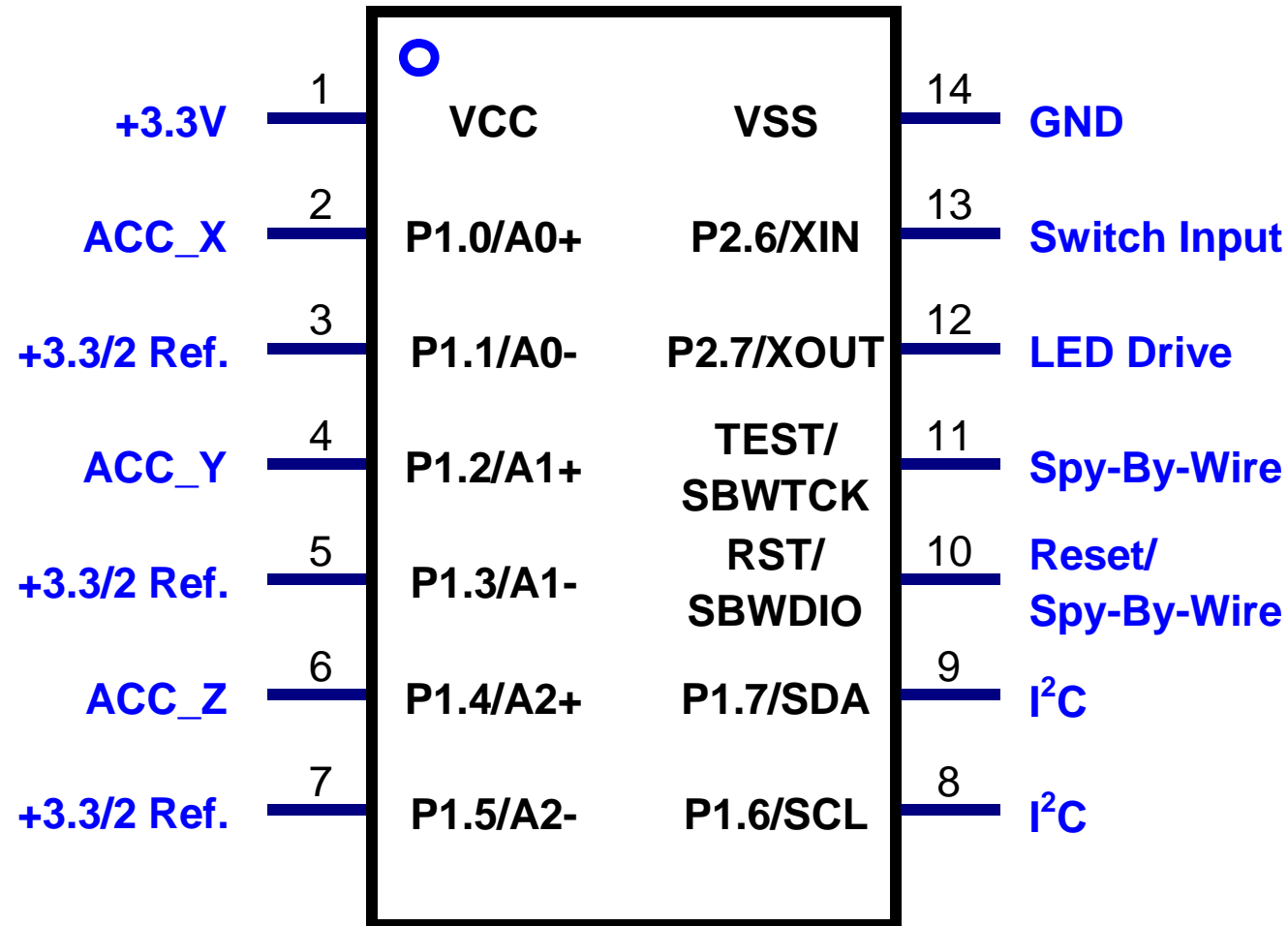


MSP430F2012



August 20, 2006 Design by Kenji Arai / JH1PJL
Updated on August 26, '06 -- exchange P2.7,6