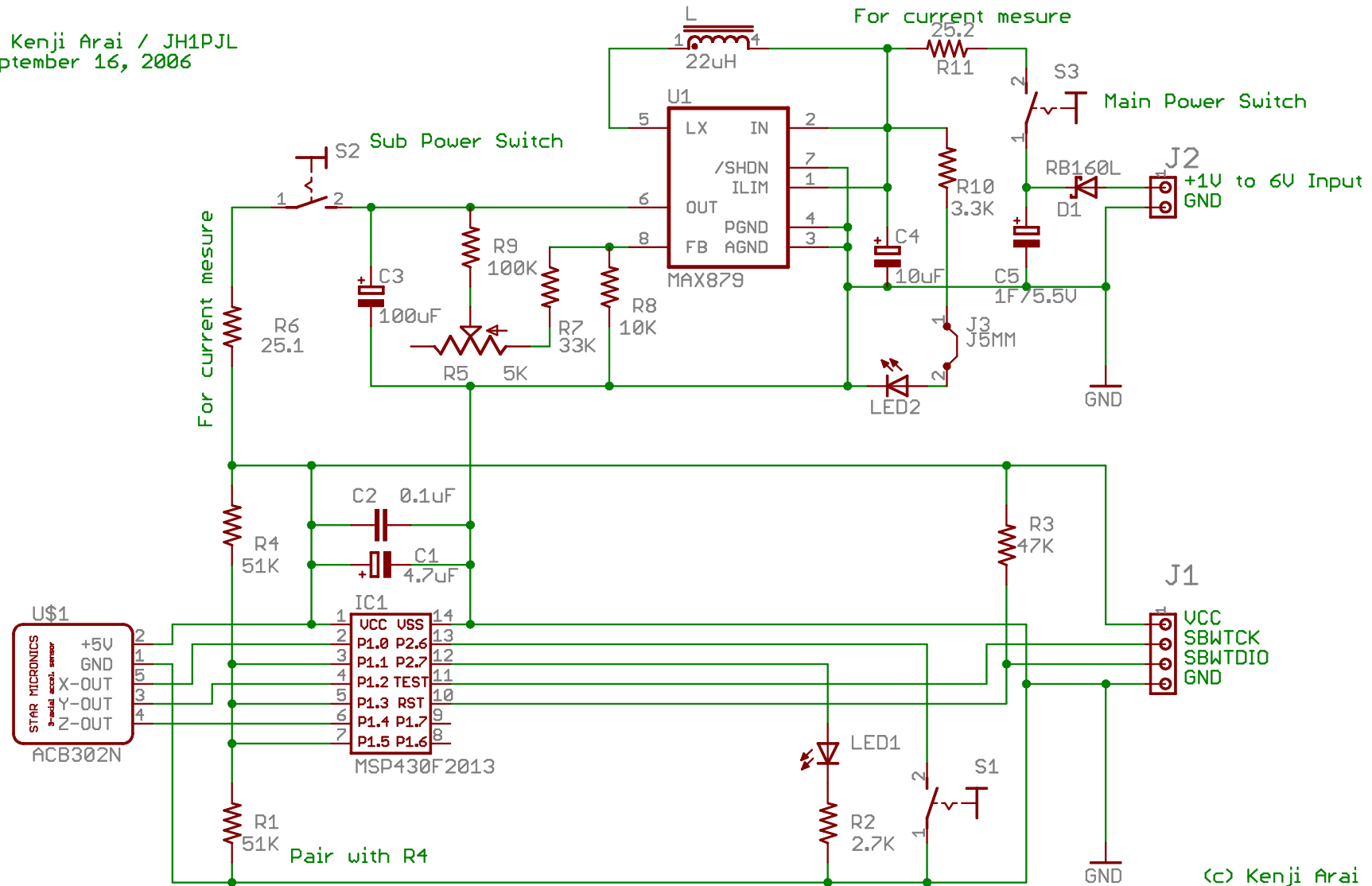


Acc evaluation circuit

By Kenji Arai / JH1PJL
September 16, 2006



(c) Kenji Arai