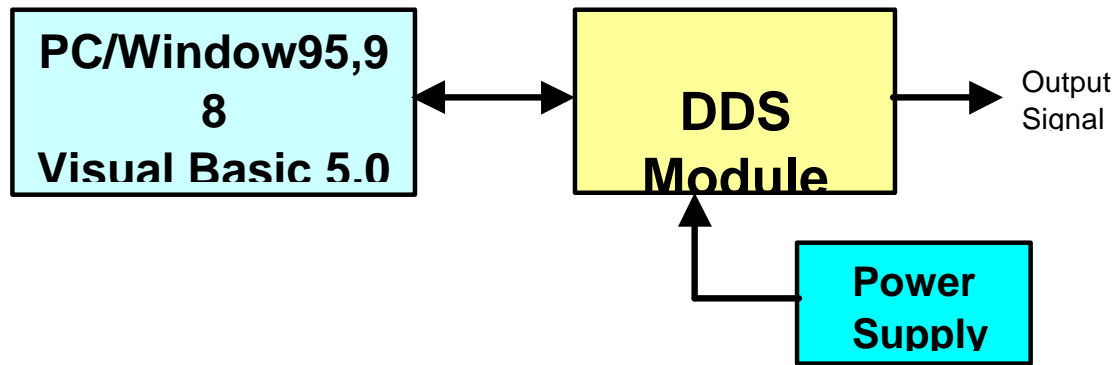
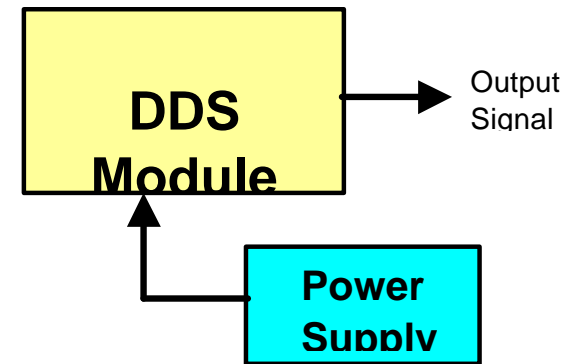


Overview of the DDS system

VFO for Transmitter, Receiver and Transceiver
Two tone generator using two sets
Signal generator
Sweep generator
Audio generator



PC Control Mode



Independent Mode