

JH1PJL / Kenji Arai

Hiki-gun, Saitama
355-0323 Japan

Sheet Title: All view of 50MHz Tranceiver

Sheet File Name:
allview.sch

Size:
A

Document Number:
<Document #>

Rev.:
<Rev.>

Sheet Creation date:
02/12/00

Modification date:

Sheet <Folio> of <Nb Folio>

1

2

3

4

5

6

7

8

A

B

C

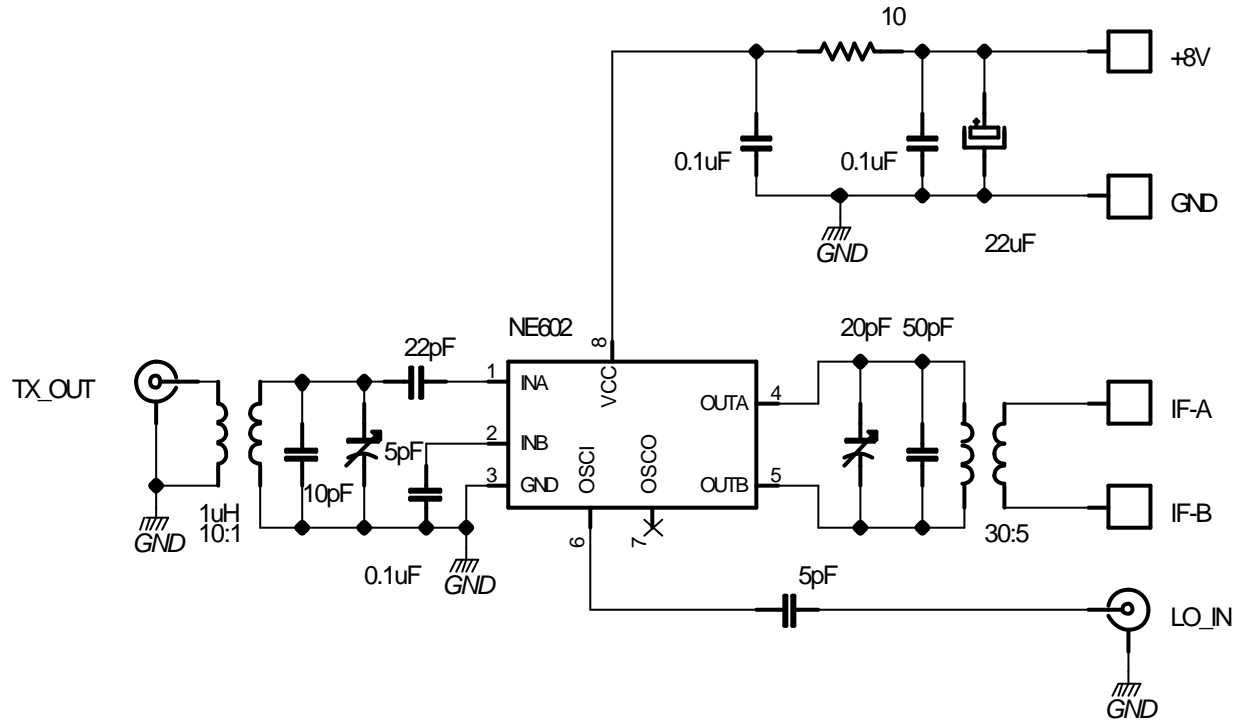
D

E

F

G

H



JH1PJL / Kenji Arai

Hiki-gun, Saitama
355-0323 Japan

Sheet Title:
50MHz RX Frontend

Sheet File Name:
front.001

Size:
A

Document Number:
<Document #>

Rev.:
<Rev.>

Sheet Creation date:
01/16/100

Modification date:

Sheet <Folio> of <Nb Folio>

1

2

3

4

5

6

7

8

A

B

C

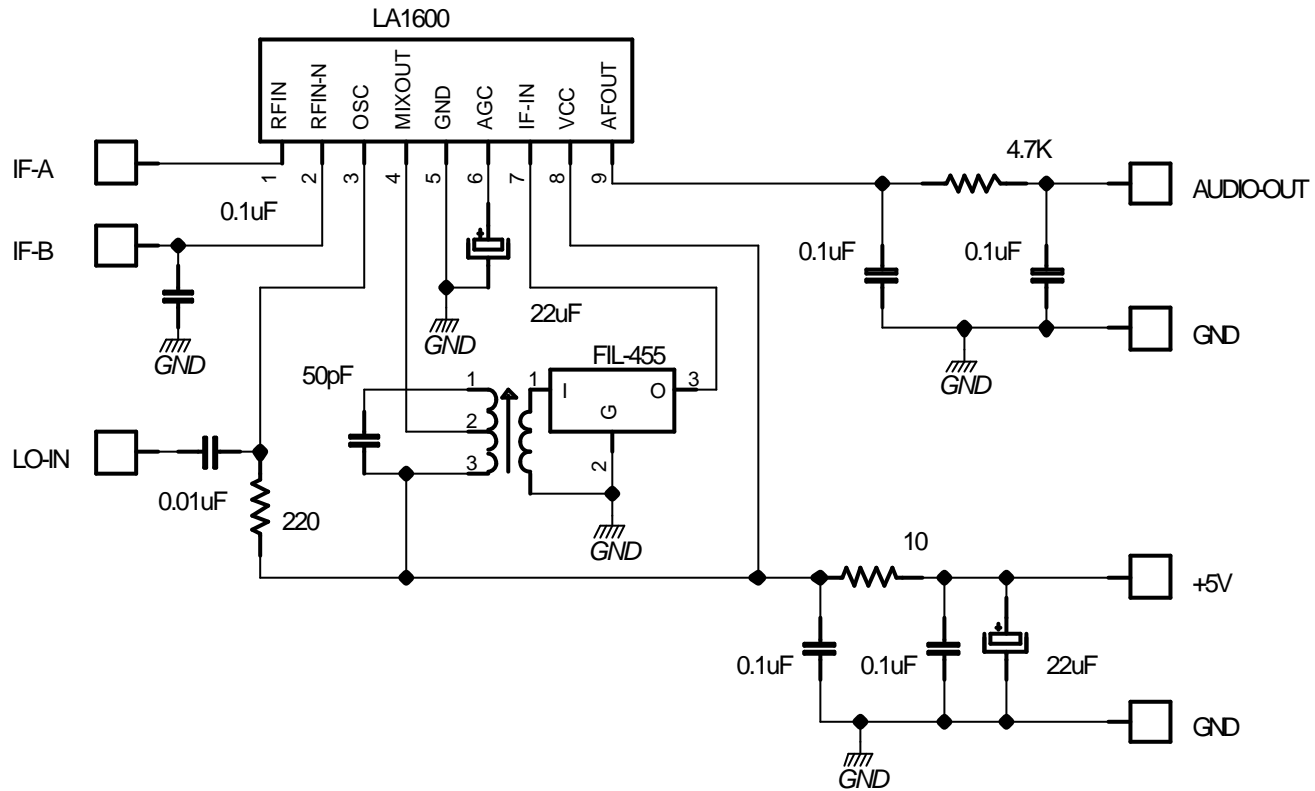
D

E

F

G

H



JH1PJL / Kenji Arai

Hiki-gun, Saitama
355-0323 Japan

Sheet Title:
IF Amplifier

Sheet File Name:
LA1600.sch

Size:
A

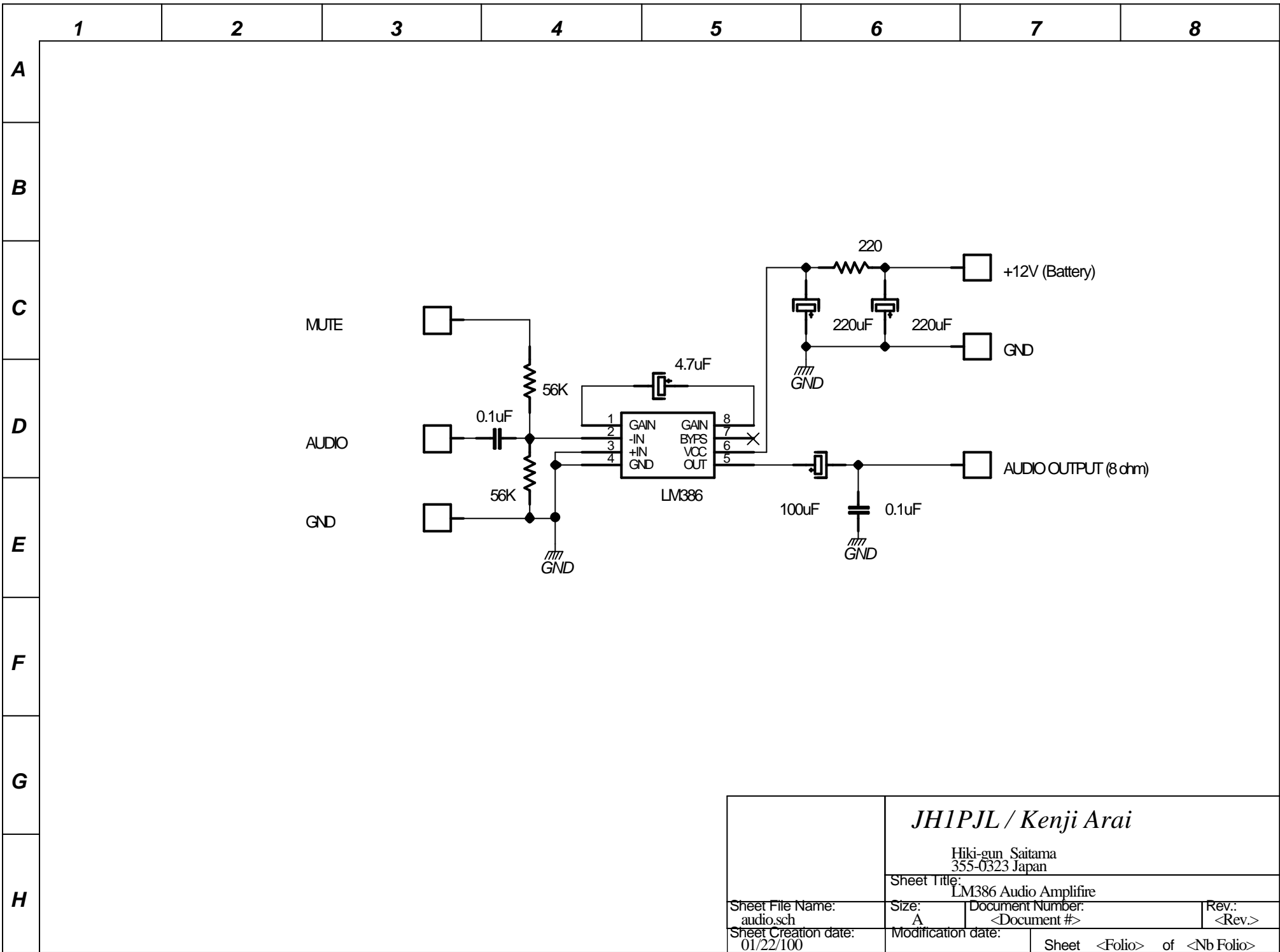
Document Number:
<Document #>

Rev.:
<Rev.>

Sheet Creation date:
01/23/100

Modification date:

Sheet <Folio> of <Nb Folio>



JH1PJL / Kenji Arai

Hiki-gun, Saitama
355-0323 Japan

Sheet Title:
LM386 Audio Amplifire

Sheet File Name: audio.sch	Size: A	Document Number: <Document #>	Rev.: <Rev.>
Sheet Creation date: 01/22/100	Modification date:	Sheet <Folio> of <Nb Folio>	

1

2

3

4

5

6

7

8

A

B

C

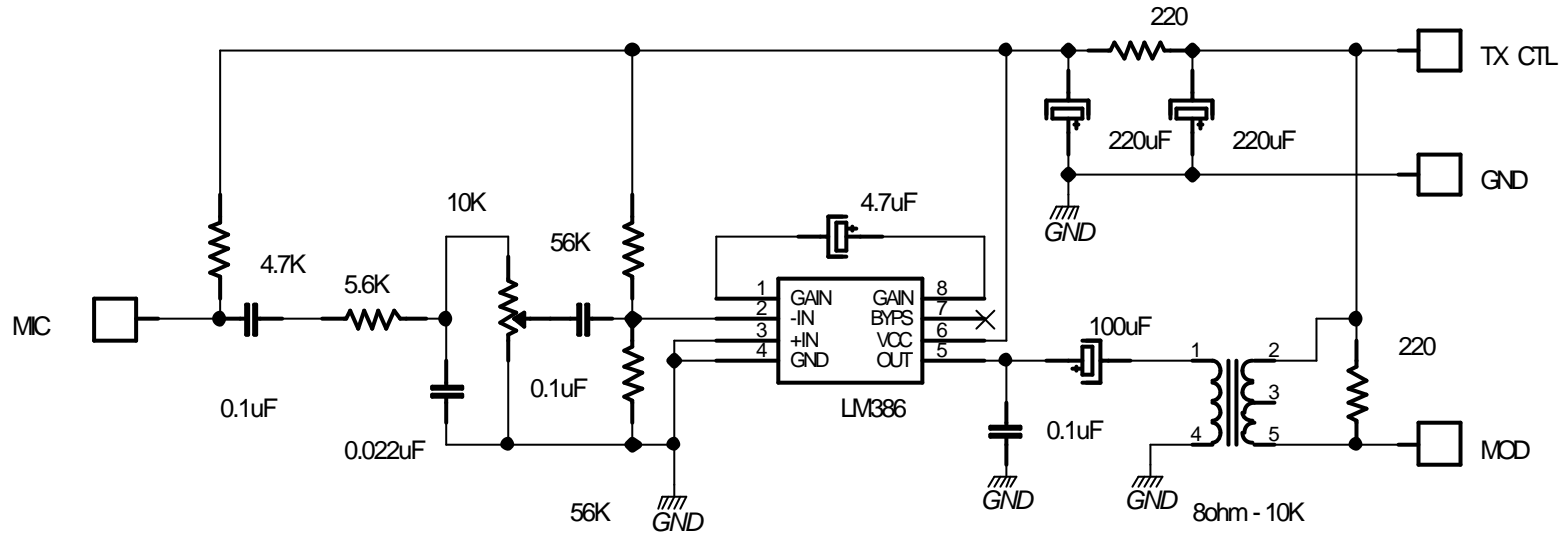
D

E

F

G

H



JH1PJL / Kenji Arai

Hiki-gun, Saitama
355-0323 Japan

Sheet Title:
Modulation Amplifire

Sheet File Name:
MOD.sch

Size: A Document Number:
<Document #>

Rev.:
<Rev.>

Sheet Creation date:
01/22/100

Modification date:

Sheet <Folio> of <Nb Folio>

