

DATE

DRIVER

TRACK

MasaToshi Matsuo
Yoshino - works

TRACK CONDITIONS

- Indoor Tight Smooth Hard Packed Blue Groove
 Wet Low Bite High Bite Outdoor Open Rough Loose/Loamy
 Dry Dusty Wed Bite Other

ENGINE

REDS

Gasket

mm

Plug

P3

Muffler

Fuel

Clutch bell

16T

17T

18T

Other

T

Shoes

3

4

Spring 1.0 mm

DIFF

Front

7000

Oil #

Center

10000

Oil #

Rear

3000

Oil #

43

T

x

10

T

Spur gear

45

T

43

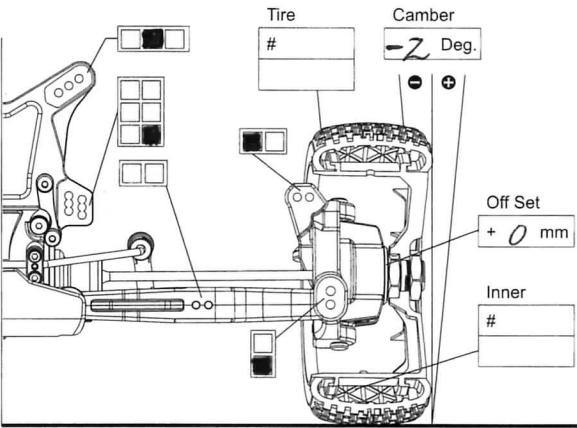
T

x

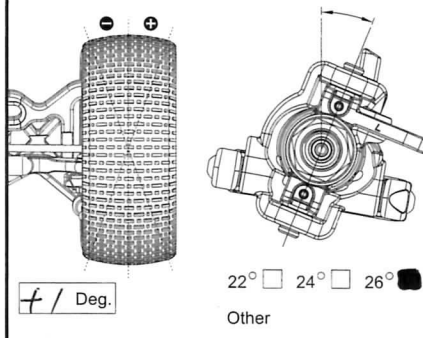
10

T

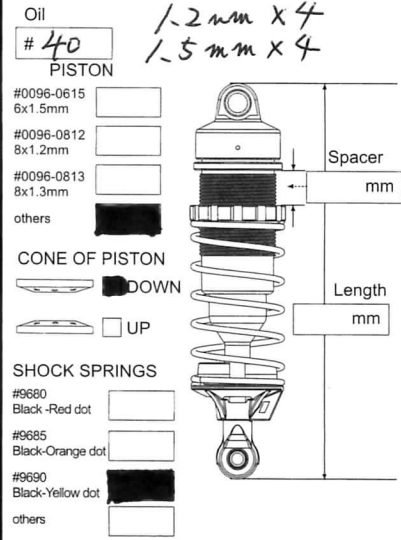
FRONT SUSPENSION



FRONT TOE ANGLE | CASTER ANGLE



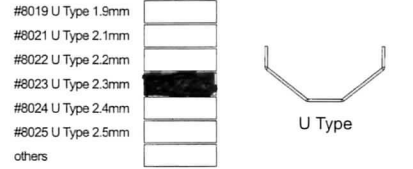
FRONT SHOCK



KICK UP

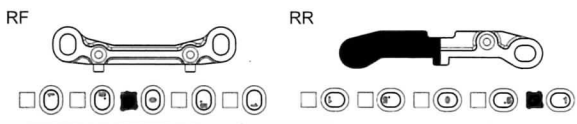


ANTI ROLL BAR

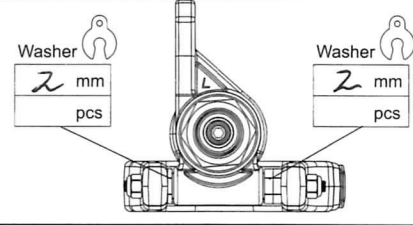


ANTI SQUAT

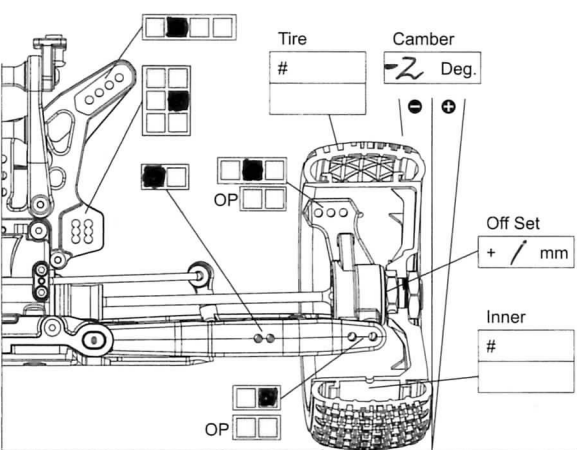
TOE ANGLE



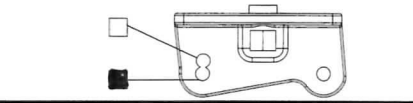
WHEEL BASE



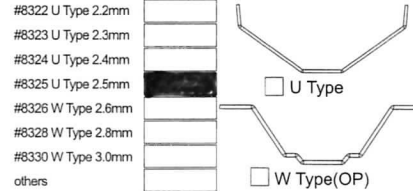
REAR SUSPENSION



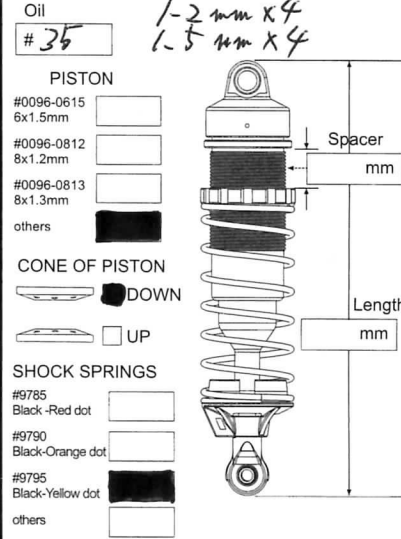
WING POSITION



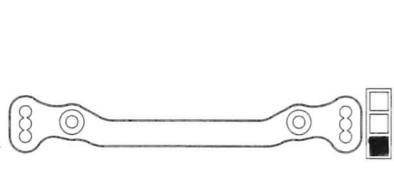
ANTI ROLL BAR



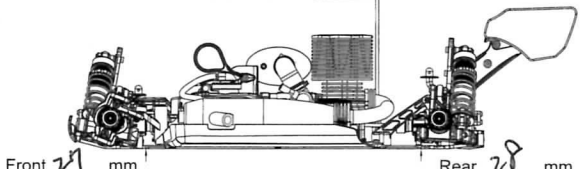
REAR SHOCK



ACKERMAN



RIDE HEIGHT



DROOP LIMITER

